



USN

--	--	--	--	--	--	--	--	--	--

10EC63/10EC638

Sixth Semester B.E. Degree Examination, Jan./Feb. 2021

Microelectronics Circuits

Time: 3 hrs.

Max. Marks:100

Note: Answer any FIVE full questions, selecting THREE questions from Part-A and TWO questions from Part-B.

PART - A

- 1 a. Explain the implementation of biasing circuit by fixing V_G and connecting a resistance in the source with neat diagram. (06 Marks)
- b. Design the circuit in Fig.Q1(b) to establish a drain voltage of 0.1V. What is the effective resistance between drain and source at this operating point. Let $V_t = 1V$,

$$K'_n \left(\frac{W}{L} \right) = 1 \text{ mA/V}^2.$$

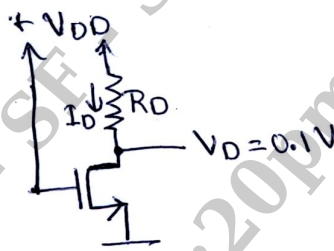


Fig.Q1(b)

- (06 Marks)
- c. Explain common gate amplifier with neat circuit diagram and small signal equivalent circuit. (08 Marks)
- 2 a. Compare MOSFET and BJT in terms of :
 (i) Low frequency hybrid π model
 (ii) Current voltage characteristics
 (iii) High frequency model (06 Marks)
- b. With relevant equations and neat circuit diagram, explain working of MOS steering circuits. (08 Marks)
- c. With neat diagram, explain working of basic MOS current mirror circuit. (06 Marks)
- 3 a. Draw high frequency equivalent circuit model of common source amplifier and analyze using Miller's theorem. (08 Marks)
- b. Analyze common base amplifier to find R_{in} and R_{out} . (07 Marks)
- c. How does cascade MOS current mirror improves the performance of current mirror circuit? (05 Marks)
- 4 a. With neat diagrams, explain small signal operation of MOS differential pair. Derive expression for differential gain. (10 Marks)
- b. For circuit in Fig.Q4(b), the differential amplifier uses transistor with $\beta = 100$. Evaluate:
 (i) Input differential Resistance R_{id}
 (ii) Overall differential gain $\frac{V_0}{V_{sig}}$ (neglect effect of r_0)



- (iii) The worst case common mode gain if the 2 collector resistances are accurate to within $\pm 1\%$.
- (iv) The CMRR in dB.
- (v) The input common mode resistance (assume $V_A = 100\text{ V}$)

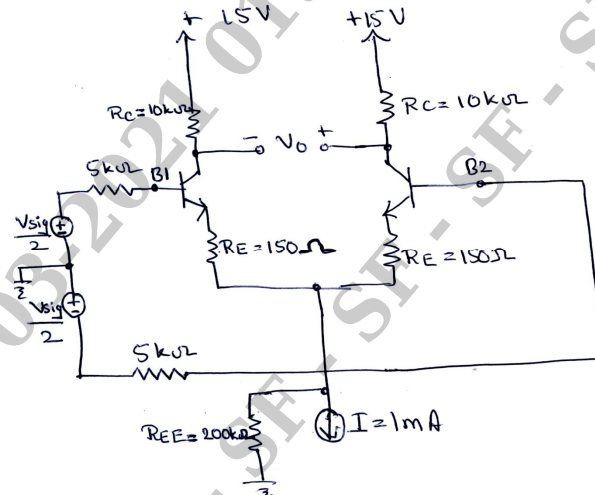


Fig.Q4(b)

(10 Marks)

- 5 Write short notes on:
- a. T-equivalent circuit model of MOSFET
 - b. Multistage amplifiers
 - c. Source follower
 - d. Current source

(20 Marks)

PART - B

- 6 a. Explain the three properties of negative feedback. (09 Marks)
- b. Draw and explain Nyquist plot of an unstable amplifier. (05 Marks)
- c. With graph, explain how stability analysis is done using bode plot. (06 Marks)
- 7 a. With neat diagram, explain a single op amp difference amplifier and derive an expression for differential gain A_d . (07 Marks)
- b. Briefly explain logarithmic amplifier and derive an expression for output voltage. (08 Marks)
- c. Explain basic principle of sample and hold circuit using basic circuit. (05 Marks)
- 8 a. Write a short note on domino CMOS logic circuits. (06 Marks)
- b. Implement $F = \overline{AB + A\overline{B}}$ using AOI gate logic. (08 Marks)
- c. Explain the Voltage Transfer Characteristics (VTC) of CMOS inverter when Q_N and Q_P are matched. (06 Marks)
